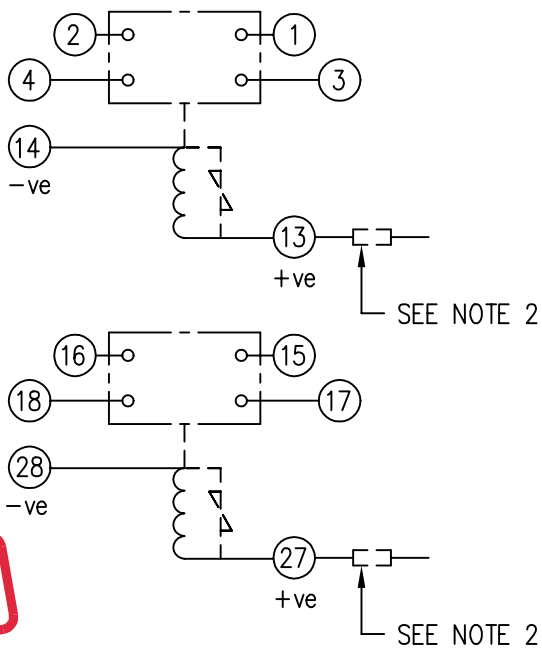


LOOKING ON FRONT OF RELAY



**NOT SUBJECT TO UPDATE
ONCE COPIED / PRINTED
OR DOWNLOADED**

KEY

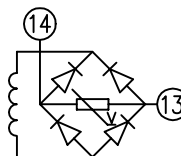
- make contact
- break contact
- c/o contact
- ext. conn plug bridge - shorting
- metering point
- 5Kv barrier
- test socket - shorting
- plug & socket

NOTE:

- HEAVY DUTY CONTACTS ARE FITTED WITH BLOWOUT MAGNETS AND ARE POLARITY CONSCIOUS. SEE TABLE FOR +VE TERMINAL.
- 125V VERSION HAS EXTERNAL RESISTOR FITTED.

CONTACT CONFIG.	OUTPUT CONTACT PAIR / TERMINAL No.					
TOP →	1-3	2-4	5-7	6-8	9-11	10-12
BOT. →	15-17	16-18	19-21	20-22	23-25	24-26
2M	M	M	/	/	/	/
2M(HD)	M+	M+	/	/	/	/
1M(STD) 1M(HD)	M+	M	/	/	/	/
1M 1B	M	B	/	/	/	/

NOTE: WHEN RECTIFIER IS SPECIFIED COIL CONNS. ARE AS SHOWN.



FRAME REFERENCE: E2FAQQ.

FRAME TERMINAL BLOCK ASSY: -

ASSEMBLY INSTRUCTIONS: -
TYPICAL ASSEMBLY DRAWING 2995G10032.
AT INDICATED POSITIONS FIT AS FOLLOWS:
T - FIT TRIP ISOLATION CONTACT 2995B10053
S - FIT STANDARD CONTACT 2995B10054
SECURE CONTACTS USING FIXING SCREW 2109F99009.
POSITIONS SHOWN BLANK ARE UNUSED

2	T	T	1
4	T	T	3
6			5
8			7
10			9
12			11
14	S	S	13
16	T	T	15
18	T	T	17
20			19
22			21
24			23
26			25
28	S	S	27

VIEW FROM NUMBERED SIDE OF BLOCK

OUTER TERMINAL BLOCK ASSY: -

ASSEMBLY INSTRUCTIONS: -
TYPICAL ASSEMBLY DRAWING 2995G10029.
AT INDICATED POSITIONS FIT AS FOLLOWS:
S - FIT STANDARD CONTACT 2995B10051
HC - FIT 'HEAVY CURRENT' KIT 2995G10030
WHERE IS SHOWN FIT CT SHORTING KIT 2995G10031
POSITIONS SHOWN BLANK ARE UNUSED.
ALL POSITIONS FIT SCREW 2106F12506.

2	S	S	1
4	S	S	3
6			5
8			7
10			9
12			11
14	S	S	13
16	S	S	15
18	S	S	17
20			19
22			21
24			23
26			25
28	S	S	27

VIEW FROM INSIDE FACE

Copyright © 1998 VATECH REYROLLE ACP Ltd. Hebburn

3 RDW	02/01/03	MN112/2453
2	19/06/01	MN112/2103
1	29/04/99	
ISSUE	DATE	MOD.No.

Title:
T.B. AND W.D. FOR XR205 2 CONTACT RELAYS IN EPSILON E2 CASE.

First used on:
Similar Articles:
Supersedes:

VATECH REYROLLE
AUTOMATION, CONTROL & PROTECTION

Original Scale:
Drg.No.
2112W50105

